

TB – MP0023

TECHNICAL BULLETIN

INFORMATION ONLY

For the Attention of : SLL Testers, Subcontract Installers, Installations Manager,
Service Branch Managers, Felid Service Managers,
Contract Managers

From: Pete Canning, Installations Manager, Stannah Lifts Ltd

Date : 17 March 2017

Product : Xtralift 2.0 (MP)

Subject : **False Ceiling Stoppers**

Pages : 1 of 4

Background

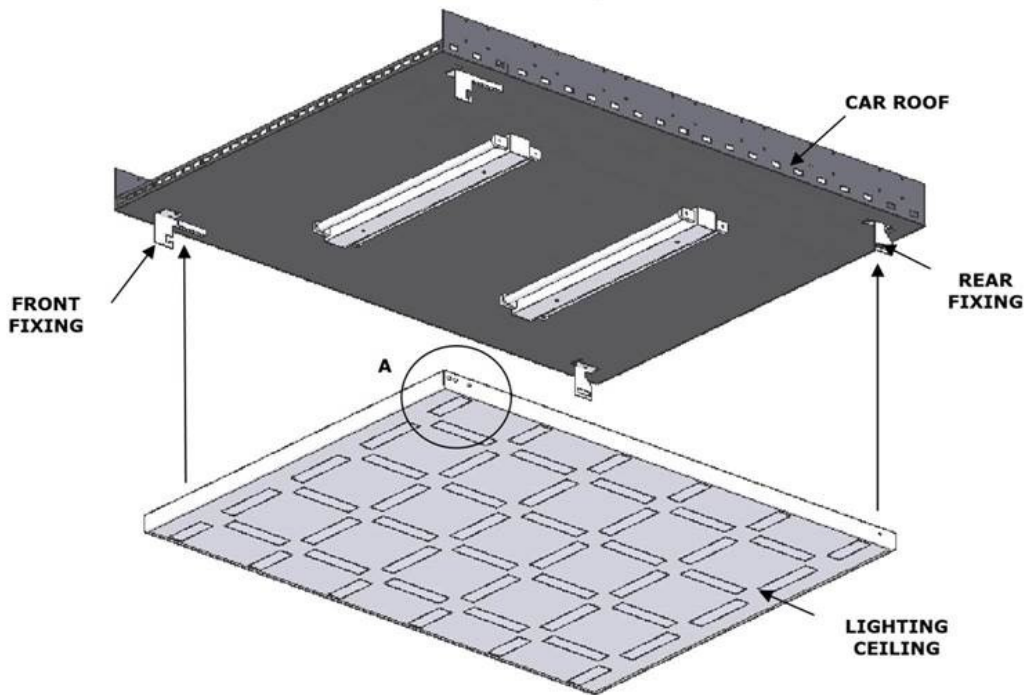
All, we have had 3 incidents over a three-year period with false ceiling falling with MP lifts. We don't believe they fall independently. Something such as furniture being moved in the lift car pushes the false ceiling back and it slips out of the fixing brackets (see diagram below). The rubber stoppers would prevent this movement.

MP have advised that their lifts are provide from the factory with black rubber 'stoppers'. See pictures attached.

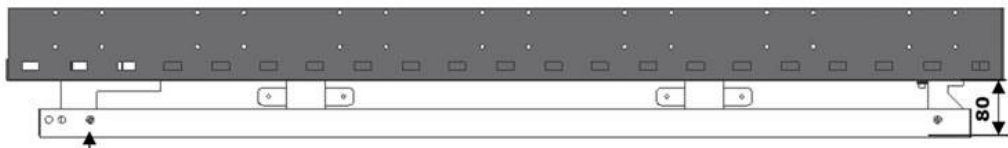
We believe this is happening – installers and/or service engineers are removing these stoppers when cleaning the ceiling or changing lights; and not replacing them.

False Ceiling Diagram below from the Installation Manual:

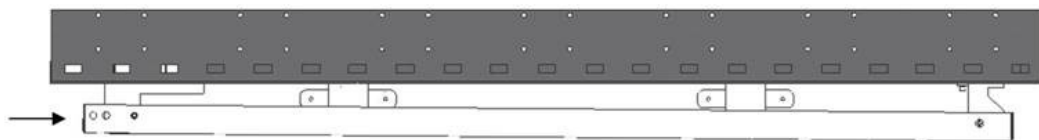
16.5. OPENING OF FOLDING LIGHTING CEILING, HEIGHT 80 mm



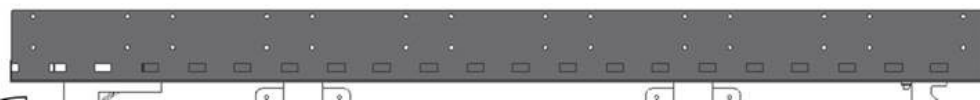
STEP 1: REMOVE THE SAFETY STOPPER



STEP 2: SMOOTHLY PUSH THE GRATING UPWARDS TO THE END



STEP 3: PUSH THE GRATING TOWARDS THE REAR PART



Pictures of rubber stoppers:



Actions:

1. The MP false ceiling must have the stoppers in place;
2. SLL Contract Managers & Testers to check when on site;
3. If removed at any time during installation – they must be replaced;
4. If removed at any time during service – they must be replaced;
5. SLL will issue will issue packs of these ‘stoppers’ to Contract Managers & Testers;

I hope you all find this Bulletin to be of help and should you have any questions about this topic or would like to know a little more then please contact me on **Ext 8646 or DDI 01264 34 36 46**

Pete Canning